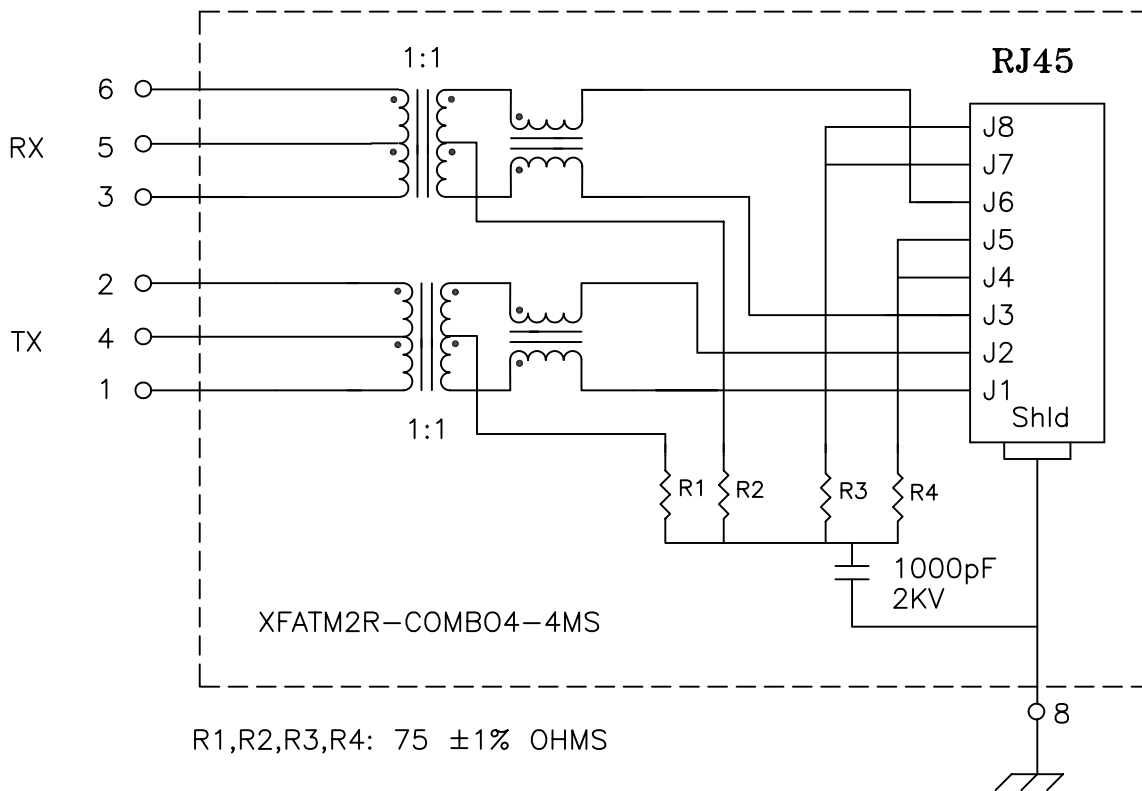


## Schematic:

(One of Four)



## Electrical Specifications: @25°C

Isolation Voltage: 1500 Vac

Isolation Voltage: 500 Vac (1+2+3+4+5+6)

UTP SIDE OCL: 350uH Min @100KHz 100mV 8mADC

Leakage Inductance: P6-P3 0.3uH Max @1MHz 100mV Short J6 and J3

Leakage Inductance: P2-P1 0.3uH Max @1MHz 100mV Short J2 and J1

Cww: (P6, P5, & P3) to (J6 & J3) 30pF Max @1MHz 100mV

Cww: (P2, P4, & P1) to (J2 & J1) 30pF Max @1MHz 10mV

DCR: (J6-J3) = (J2-J1) 1.2 Ohms Max

Rise Time (10-90%): 2.5ns Typ

Insertion Loss (100KHz-100MHz): -1.2dB Max

Return Loss: -18dB Min @1MHz - 30MHz

Return Loss: -12dB Min @60MHz - 80MHz

Crosstalk: 40dB Typ @1MHz to 100MHz

Common Mode to Differential Mode Rejection:

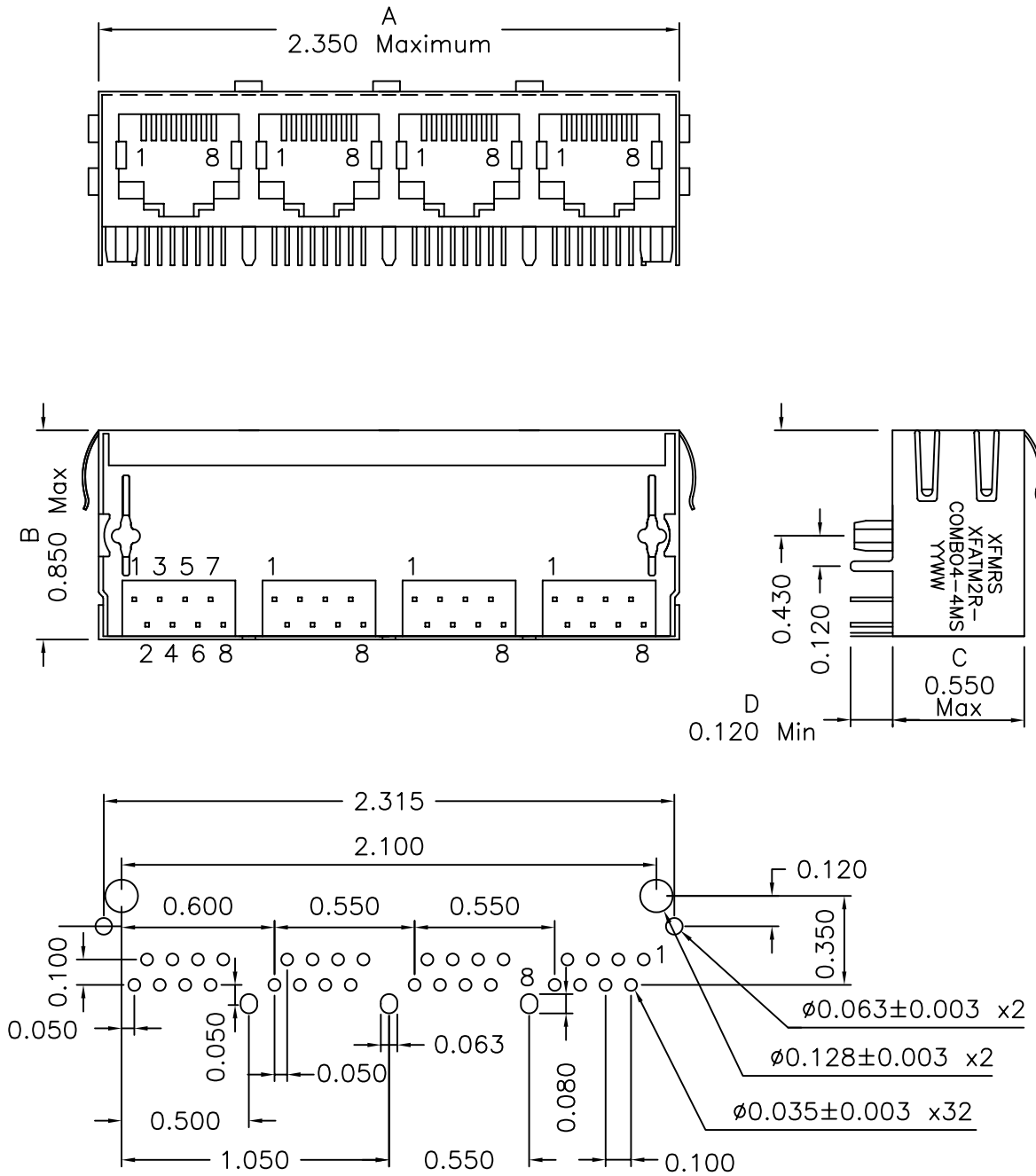
30MHz-100MHz -35dB Typ (Tx) / -35dB Typ (Rx)

### Notes:

1. Solderability: Leads shall meet MIL-STD-202, Method 208D for solderability.
  2. Flammability: UL94V-0
  3. ASTM oxygen index: > 28%
  4. Insulation System: Class F 155°C. UL file E151556
  5. Operating Temperature Range: All listed parameters are to be within tolerance from -40°C to +85°C
  6. Storage Temperature Range: -55°C to +125°C
  7. Aqueous wash compatible
- DOC. REV: A/2

<b>XFMRs Inc.</b> UNLESS OTHERWISE SPECIFIED TOLERANCES: .xxx ±0.010 Dimensions in Inch SHEET 1 OF 2	Title: <b>FOUR PORT COMBO</b>	
	P/N: XFATM2R-COMBO4-4MS	REV. A
	DWN. 廖玉坤	Dec-13-02
	CHK. 李清儿	Dec-13-02
APP. Isaiah M	Dec-13-02	

# Mechanical Dimensions: (FOR COMBO4-4MS)



SUGGESTED MOUNTING PATTERN

DOC. REV: A/2

<b>XFMRs Inc.</b> UNLESS OTHERWISE SPECIFIED TOLERANCES: .xxx ±0.010 Dimensions in Inch SHEET 2 OF 2	Title: Mechanical Dimensions For COMBO4-4MS Series	
	P/N: XFATM2R-COMBO4-4MS	REV. A
	DWN. 廖玉坤	Dec-13-02
	CHK. 李清儿	Dec-13-02
	APP. Isaiah M	Dec-13-02